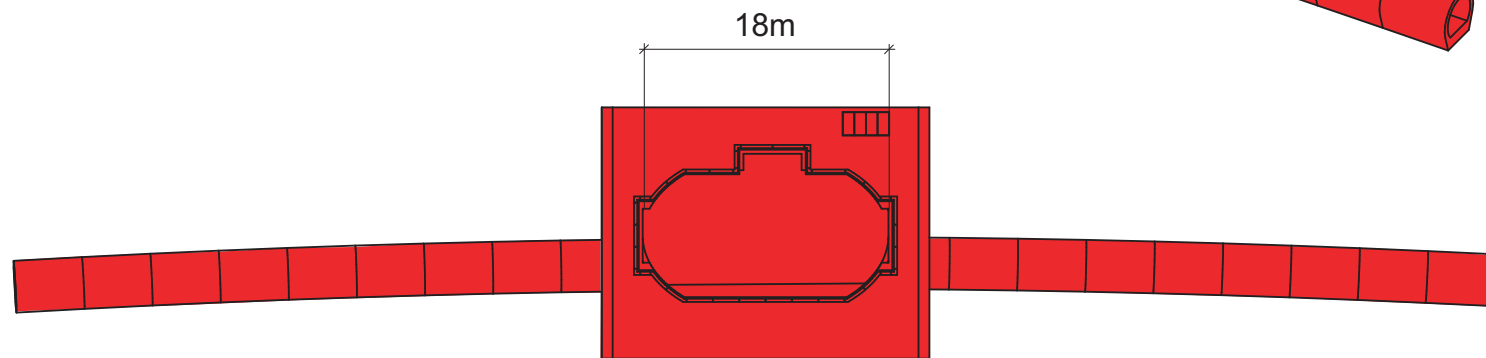
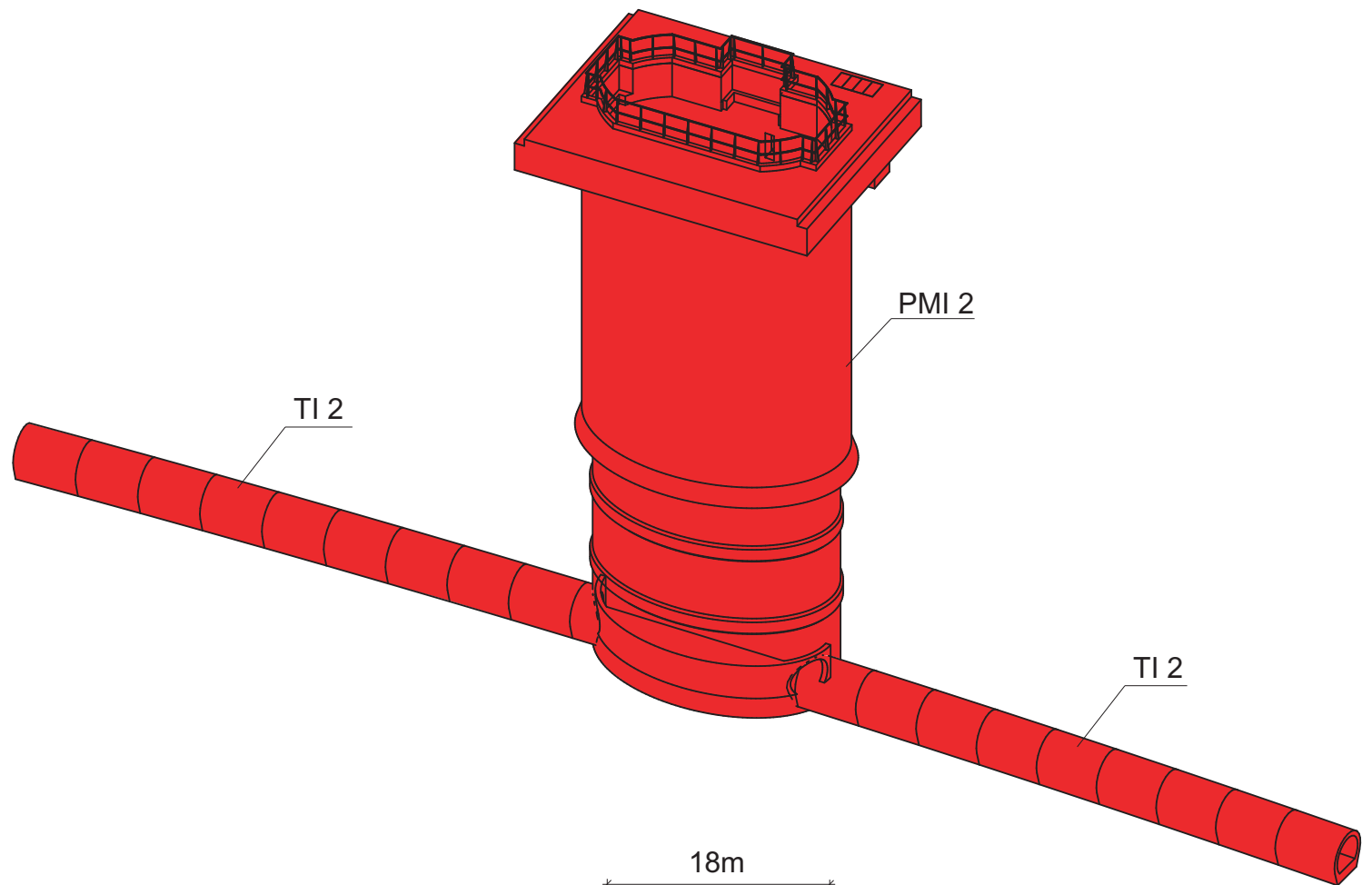


ZONE TI 2 - UNDERGROUND
AXONOMETRY

- LEP
- LHC



ZONE TI 2 - UNDERGROUND
LAYOUT