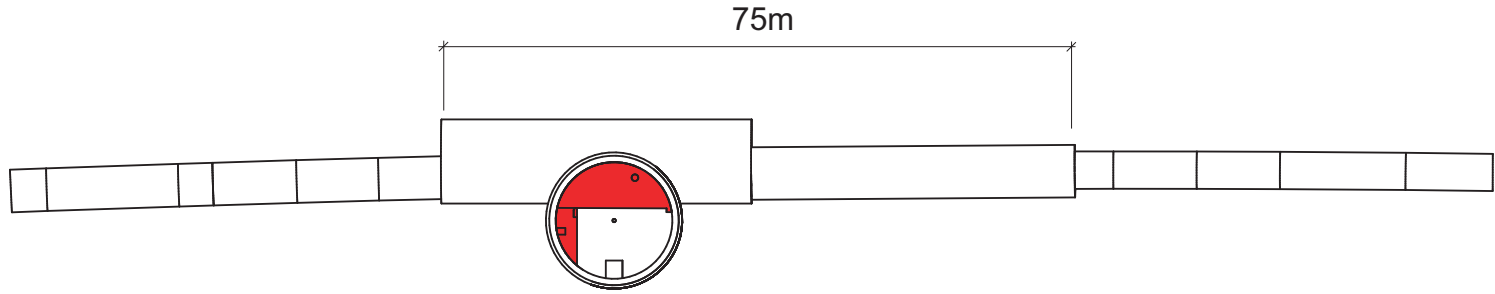
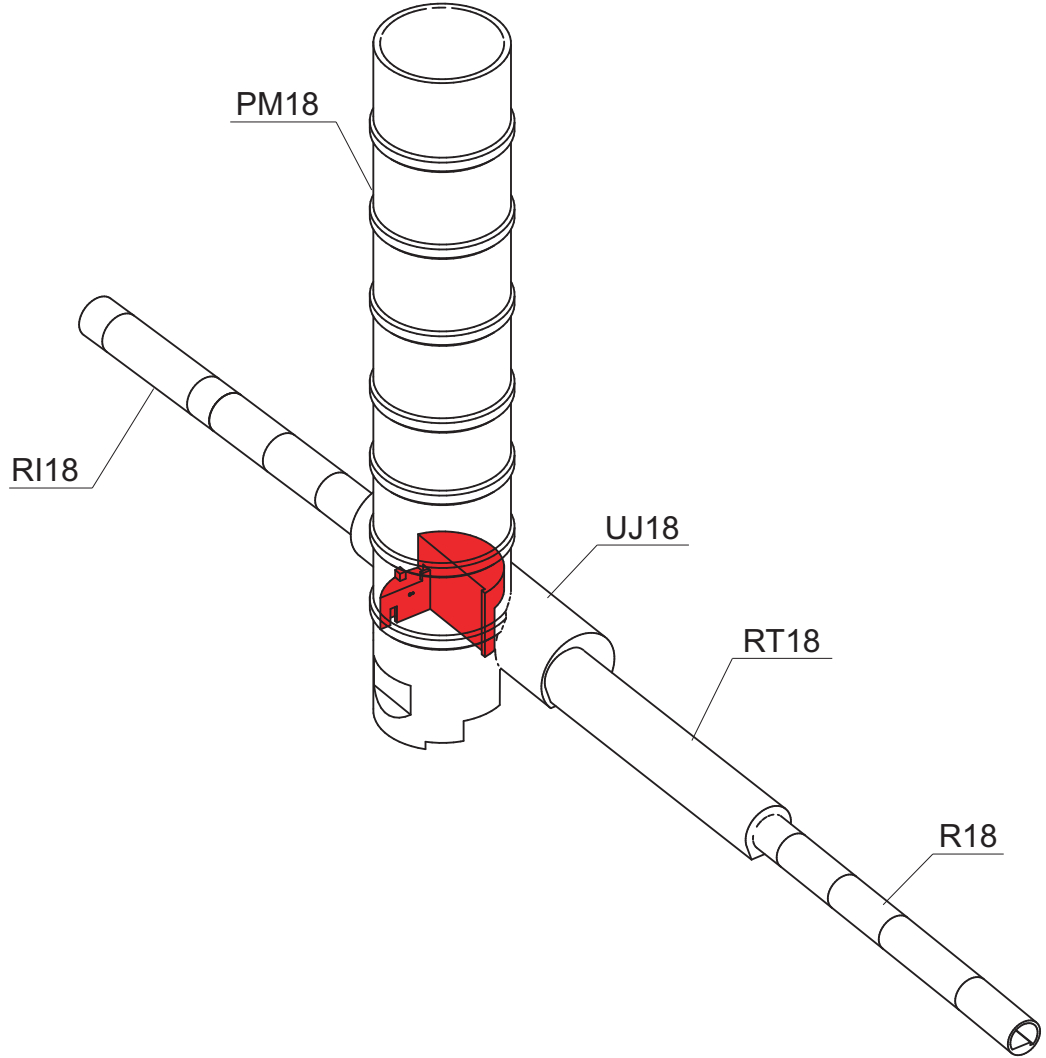


POINT 1.8 - UNDERGROUND AXONOMETRY

Legend for axonometry:
□ LEP
■ LHC



POINT 1.8 - UNDERGROUND LAYOUT